

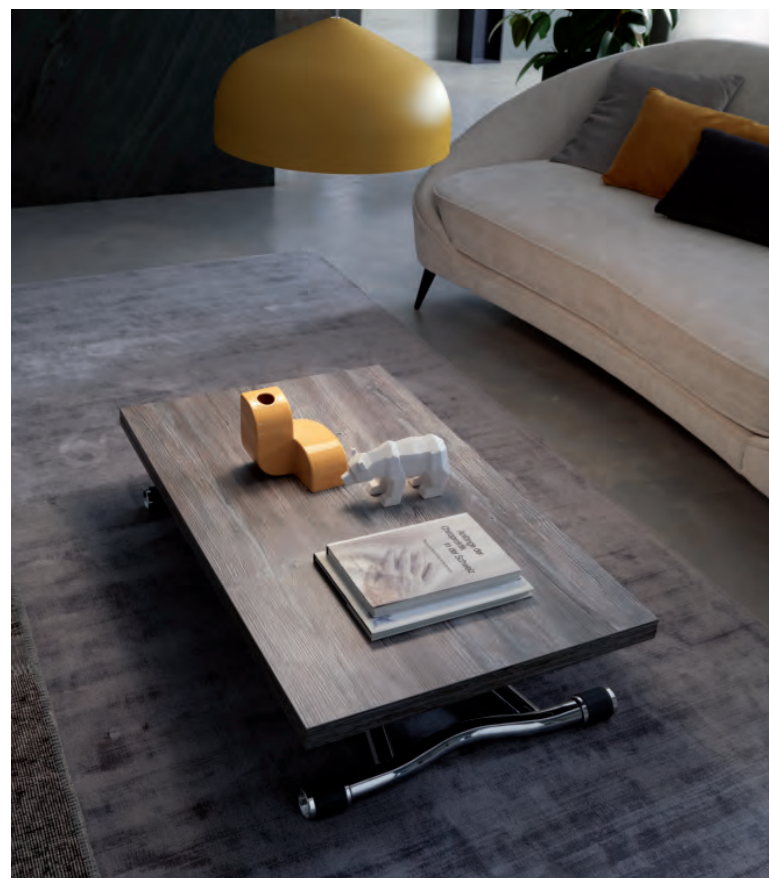
SYDNEY

Design: Toshiyuki Yoshino
Architetto/Studio Ozeta

OZZIO® ITALIA

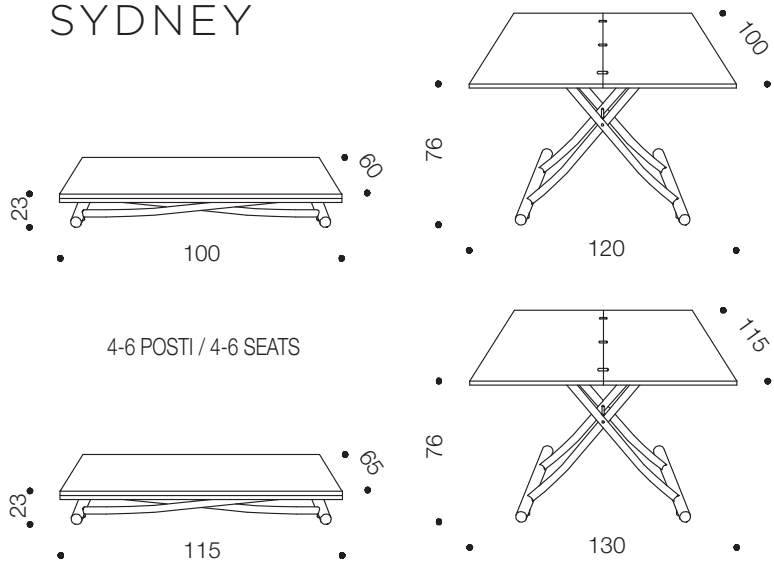


Sydney is a transformable multifunctional 'metropolitan' designed table, extremely contemporary with elegant finishes, from wood, to lacquered to painted metal for a gratifying and informal design.



Tavolino trasformabile T121 SYDNEY SStructure MT92 Top ML90 / Chair S260 NOBYS Structure MT92 Seat and back PL06

SYDNEY



Tavolino trasformabile T121 SYDNEY Structure MT98 Top ML98 / Chair S215 RIPIEGO Structure MT98 Seat and back FL57

